



Surgitron® III

1265-22-80
1265-22-60
1265-22-40

**MEDIUM DUTY FOR RESIDENTIAL
OR INDUSTRIAL APPLICATIONS**

FEATURES AND BENEFITS

- Listed to UL 1449 3rd Edition for Type 2 SPD application.
- Multiple Metal Oxide Varistors (MOVs) with individual and overcurrent protection.
- LED indicates proper function of individual MOVs.

PRODUCT SPECIFICATIONS

Electrical

Nominal Discharge Current Rating (I-n)	Model-Dependent
Operating Frequency	50-60Hz
Connection Methods	#14 AWG wires 30A Max Breaker
Modes of Protection	L-L, L-N, L-G, N-G
Fault Rating (SCCR)	100kAIC
Response Time	Less than 1 nanosecond (one per phase)
Standard Monitoring	LED status indicator lights

Mechanical

Weight	2 lbs. (.9 kg)
Enclosure Type	NEMA 1, Non-metallic
Installation Location	Indoor
Mounting Method	1/2" – 14 NPS Thread (Aluminum Bracket Optional)
Operating Environment	-40° to +176°F (-40° to +80°C)
Altitude	Up to 16,400 ft. (5000 m)
Product Design	Individually fused MOVs

Regulatory

UL 1449 3rd Edition Type	Type 2
UL 1283	No
IEEE C62.41.1, .2, C62.45	Yes
Listed By	UL

AVAILABLE CONFIGURATIONS

Model Number	kA Per Phase	Voltage	Configuration
1265-22-80-F1	80kA	120/240V	1-Phase, 3-Wire + Ground
1265-22-60-F1	60kA	120/240V	1-Phase, 3-Wire + Ground
1265-22-40-F1	40kA	120/240V	1-Phase, 3-Wire + Ground

Warranty

3-years

Stand Alone Option (To be ordered as a Separate Item)

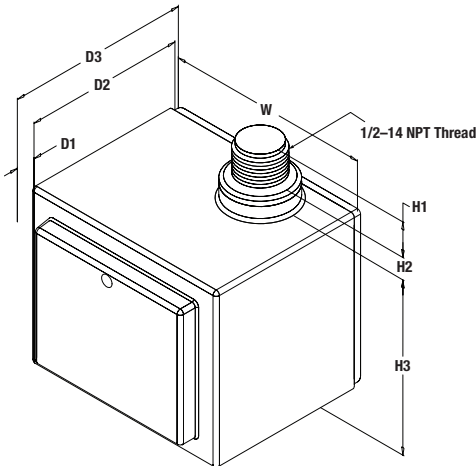
Flush-Mount Plate Kit	22-FMP-KIT
-----------------------	------------

SURGE PROTECTIVE DEVICES

SURGITRON III PERFORMANCE DATA

Model Number	Voltage Configuration	Protection Modes	MCOV	UL 1449 3rd Edition 6kV 3000A VPR
1265-22-80-F1	120/240	L-L	300	1000
		L-N	150	600
		L-G	150	600
		N-G	0	900
1265-22-60-F1	120/240	L-L	300	1000
		L-N	150	600
		L-G	150	600
		N-G	0	900
1265-22-40-F1	120/240	L-L	300	1000
		L-N	150	600
		L-G	150	600
		N-G	0	900

DIMENSIONAL SPECIFICATIONS



H1	.75 (19.1)
H2	.25 (6.4)
H3	2.93 (74.4)
W	3.56 (90.4)
D1	.32 (8.1)
D2	2.78 (70.6)
D3	3.10 (78.7)
<i>All measurements in inches (mm)</i>	

Schematic shown in horizontal position. (Photo shown in vertical position)





Energía Verde RMS

Ahorra y contribuye con tu ambiente [®]

General Miguel Barragán #814
Aguascalientes, Ags.
01 (449) 145 2028
energiaverderms.com.mx